



FLIP

Installation Instructions

STEPS 1 – 3 Fig. A

1. Install stainless steel inserts into the lower wing. Snug set screws on bottom.
2. Install lower wing to T-Slot track. Tighten set screws into dimples on track.
3. Install nylon washer onto pin on lower ring.

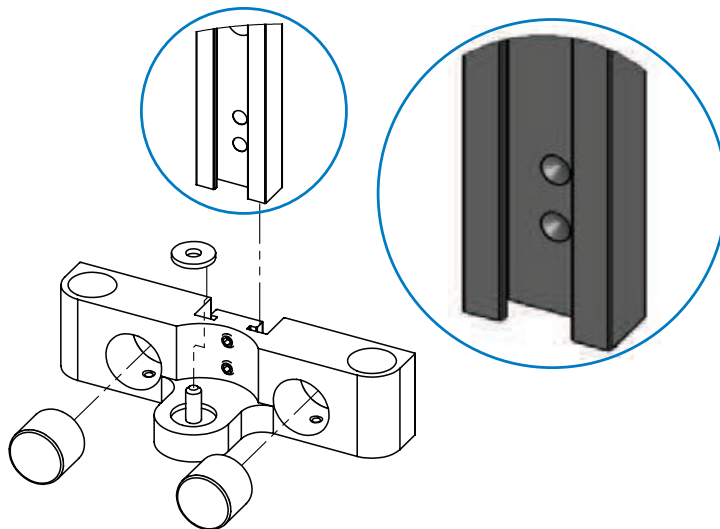


Fig. A

STEPS 4 – 5 Fig. B

4. Insure track is vertical. Drill pilot holes with 1/4" bit.
5. Install T-Slot track to wall using supplied hardware (Note: Use a minimum of 4 screws. Use top and bottom mounting holes).

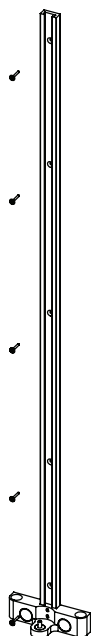


Fig. B

STEP 6 Fig. C

6. If installing multiple units, use the supplied template to achieve proper spacing.

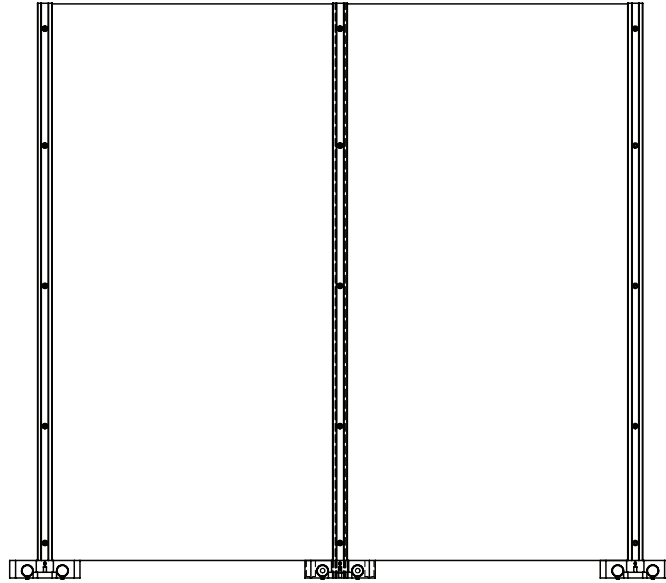


Fig. C

STEPS 7 – 10 Fig. D & E

7. Install Flip frame to pin on lower ring.
8. Install upper wing to T-Slot track by lining up pin to top of frame (May require a helping hand).
9. Tighten set screw at top of upper wing, locking it to T-Slot track.
10. Install stainless steel inserts into upper wing. Hand-tighten set screws. Adjust magnet insert depth to properly catch adjacent panel's magnetic pin.

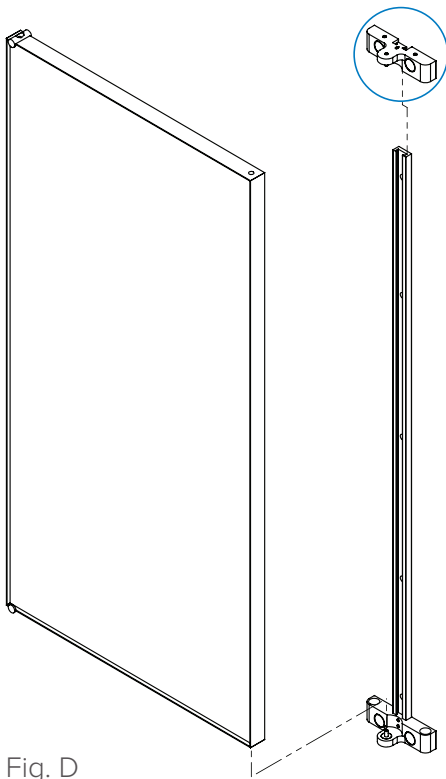


Fig. D

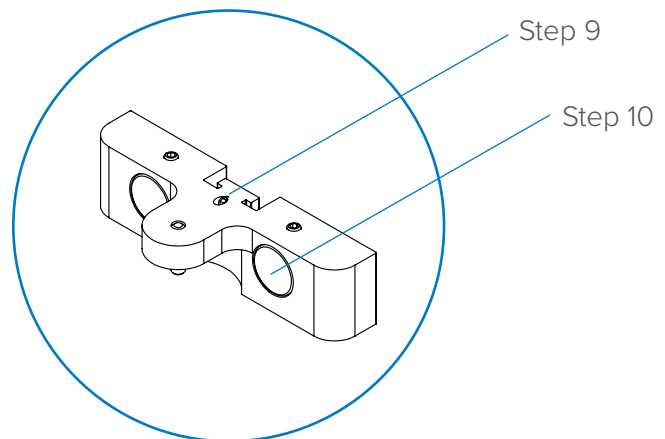


Fig. E

STEP 11 Fig. F

11. Install 4 adjustable stops to wall using supplied hardware (2 on each side, left and right of Flip). Stops are self-leveling and can be hand-screwed to the desired level.

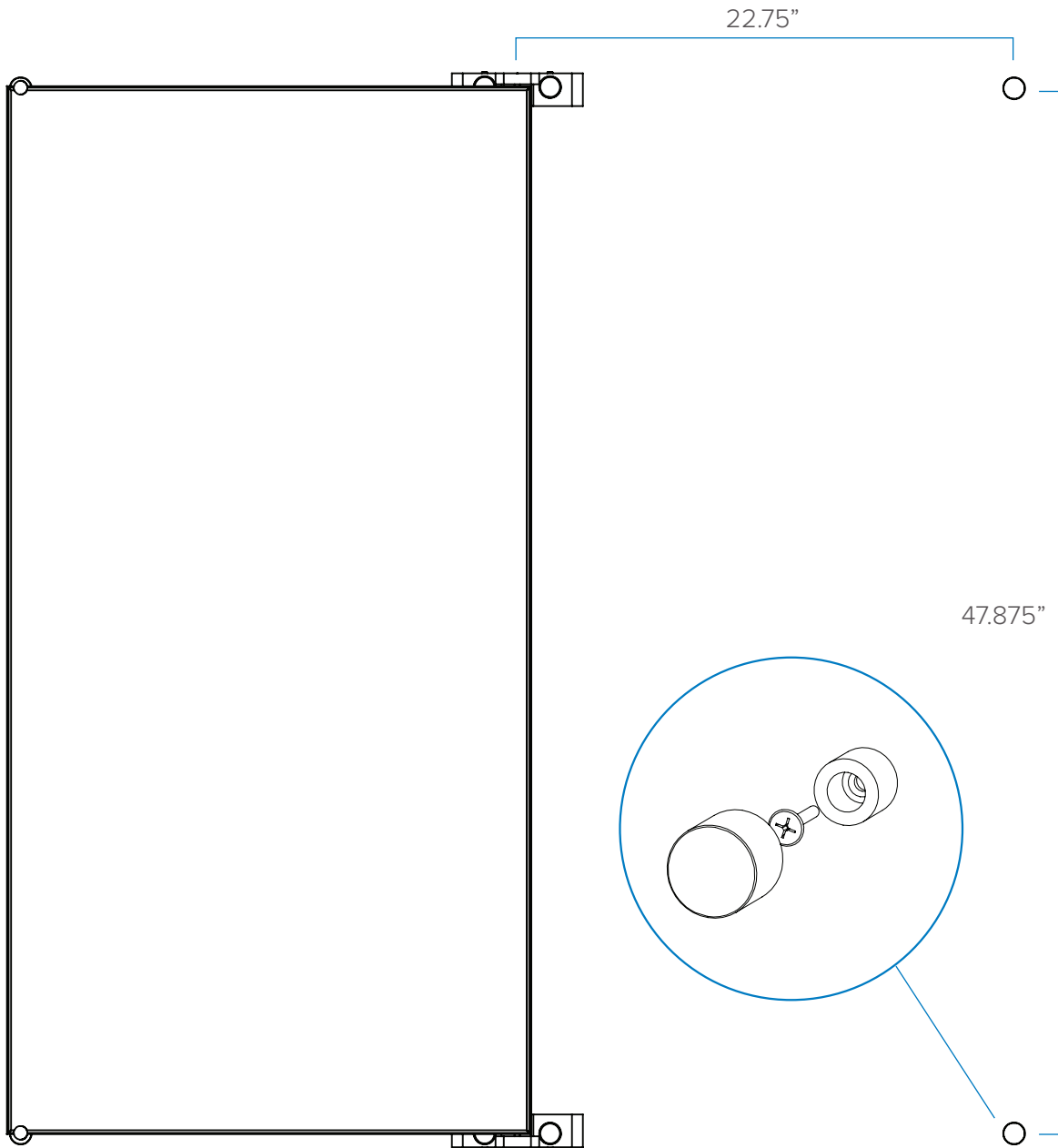


Fig. F